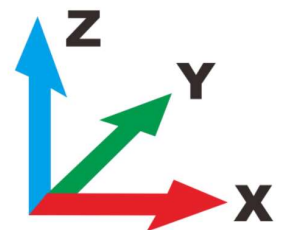


DKF39x, three axis accelerometer

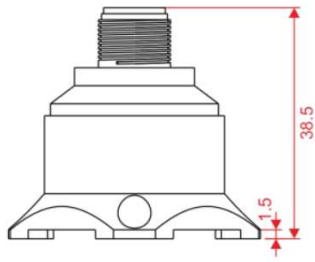
The DKF39x triaxial accelerometer is a voltage output type accelerometer independently developed and produced by DPF SENSORS, which can be used in many fields such as vibration test and impact test. The product adopts analog voltage output, different address codes can be set, and multiple sensors are connected in series for a long distance, which is convenient for multi-point measurement and data analysis.

▶ PRODUCT PARAMETER

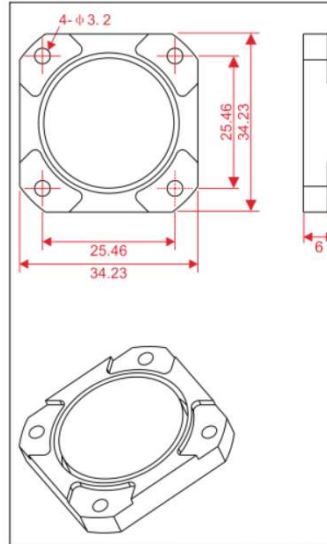
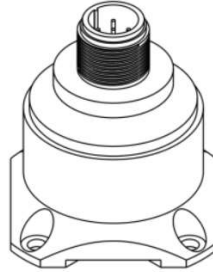
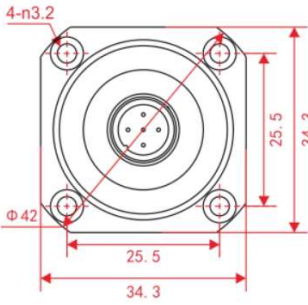
DKF392T	PARAMETER						UNIT
Range	±2	±4	±8	±10	±20	±40	g
Deviation Calibration	<1	<1	<1	<1	<1	<1	mg
Measuring Axial	X,Y,Z	X,Y,Z	X,Y,Z	X,Y,Z	X,Y,Z	X,Y,Z	轴
Up/Off Power Repeatability	<2	<2	<2	<2	<2	<2	mg(highest)
Deviation Temperature Coefficient	0.01	0.01	0.01	0.01	0.01	0.01	%/°C (Typical value)
Resolution/Threshold (@ 1Hz)	<1	<1	<1	<1	<1	<1	mg(highest)
Nonlinearity	<0.5	<0.8	<1	<1	<1	<1	% FS (highest)
Bandwidth (3Db)	500	500	500	500	500	500	Hz
Cross-axis sensitivity	1	1	1	2	2	2	%
Lateral vibration sensitivity ratio	1	1	2	5	5	5	%
Resonance frequency	2.4	2.4	2.4	5.5	5.5	5.5	kHz
Output Rate	5Hz、10Hz、25Hz、50Hz、100Hz、200Hz、500Hz、1000Hz						
Output Interface	RS232/RS485/TTL						
Protocol	DPF Standard Protocol And Modbus Rtu Protocol						
Reliability	MIL-HDBK-217 , Grade 2						
Shock Resistance	100g@11ms、 Triaxial And Identical (Half Sine Wave)						
Recovery Time	<1ms(1000g, 1/2 Sin 1ms,Shock Acting On The i Axis)						
Vibrate	20g Rms,20~2000Hz (Random Noise , o ,p,i Per Axis For Action 30 Minutes)						
Input (Vdd_Vss)	9-36 VDC						
Current Consumption	<60mA @ 12 VDC						
Connector	Industry standard M12 connector						
Weight	73.5g						
Dimension	34.3*34.3*38.5mm						



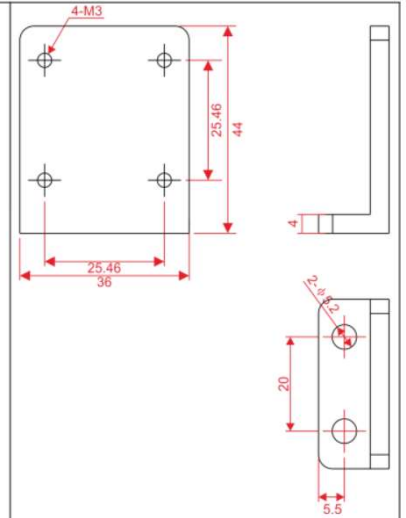
mechanical characteristics



Size: 34.3*34.3*38.5mm



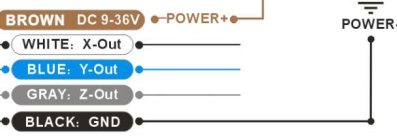
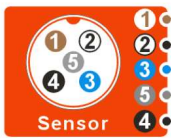
A Magnetic adsorption base plate
size : 34.23*34.23*6mm



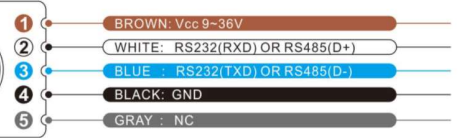
B L-type adapter plate
M-size : 36*44*4mm

ELECTRICAL CONNECTION

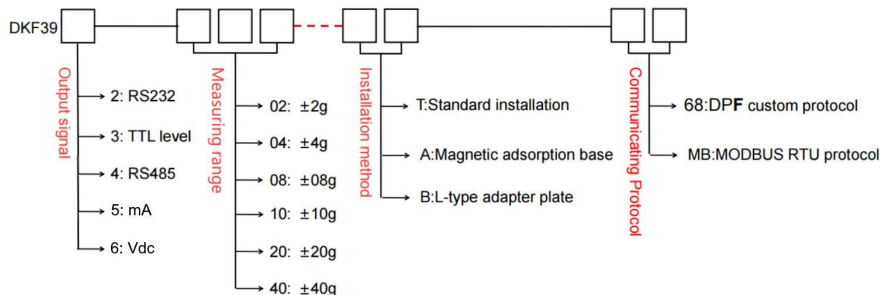
Out Vdc / mA



Out Rs232 / 485



ORDERING INFORMATION



SENSORES E INSTRUMENTACION GUEMISA S.L.



C/ Del Electrodo, 68 Oficina-23
28522 Rivas Vaciamadrid (Madrid)
Tfno.: 91 764 21 00 - ventas@guemisa.com
N.I.F.: B-87969416