

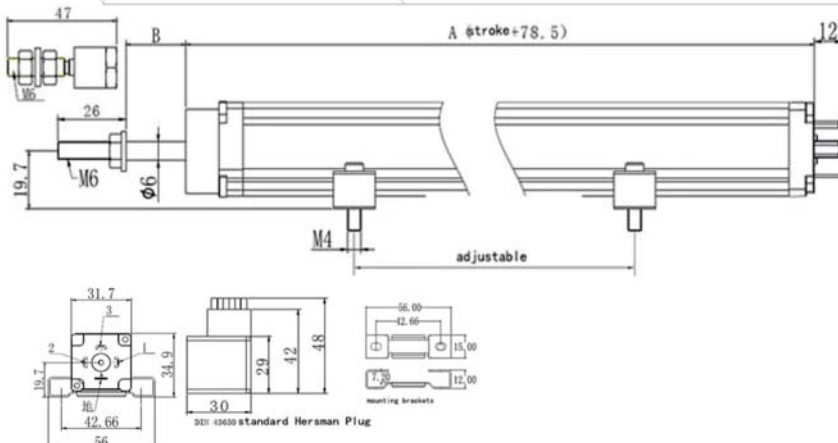
## IKTC Potentiometer conductive plastic linear

**Features:**

- Anodized aluminum case
- Brushes for both collector and resistive tracks in noble metal
- Conductive plastic track on polymer base
- Stainless steel for pull shaft
- Infinite resolution
- Protection level Ip55
- Life time > 100 X 106
- Repeatability within 0.01 mm



Technical Data				
IKTC Linear Position Sensor	50mm-175mm	200mm-550mm	600mm-1000mm	1150-1250mm
Linear Precision (±%FS)	±0.1%		±0.05%	
Resistance (±10%)	5KΩ		10KΩ	20KΩ
Output signal	standard: 0~100% × input voltage (change with the movement of the rod)			
Mechanical stroke	range+8mm			
Effective Stroke	range+3mm			
Case Length (A)	range+78.5mm			
Resolution	Infinite			
Repeatability Precision	0.01mm			
Max Speed	10m/S			
Recommended Temperature	0°C-80°C ; -20°C~+100°C			
Temperature Drift	infinitesimal			
Material for transducer case	Anodised aluminium			
Material for pull shaft	Stainless steel			
Protection level	IP55			
Lifetime	>100*1000000 cycles, >25*1000000 m			
Useful electrical stroke(mm)	50 75 100 110 125 130 150 175 200 225 250 275 300 325 350 360 375 400 425 450 475 500 550 600 650 700 750 800 850 900 950 1000 1150 1250			



### Transmitter DPF-XKT

Potentiometer  
signal converter  
to 0-10 Vdc /  
4-20 mA

24 Vdc power supply  
Replaces the IKT series connector  
Dimension : 70.0mm\*34.05mm\*38.80  
mm