



**SENSORES E INSTRUMENTACION
GUEMISA S.L.**

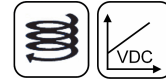
NIF: B-87969416

C\ La Fundación 4 Bis - PI 1ª Oficina-2
28522 Rivas Vaciamadrid (Madrid)
Telf. 91 764 21 00
email: ventas@guemisa.com

www.guemisa.com

**NOVOTURN
Multiturn Sensor
Non-contacting**

**RSM-2800
Voltage
Industrial**



Special Features

- Non-contacting, magnetic
- Long life
- Measuring range 720° up to 5760° in 360°-steps (2 to 16 turns)
- True-Power-On system: counts turns even when not powered. Patented non-volatile technology does not require gears or batteries
- Available with push-on coupling or marked shaft
- Easy mounting
- Protection class IP54 up to IP67
- One or multi-channel versions
- Resolution 16 bits
- Linearity up to $\pm 0,03\%$
- Other configurations see separate data sheets

Applications

- Mechanical engineering
- Mobile machinery
- Driveline or steering systems
- Wire-actuated encoders
- Gate drives
- Motor sports

Multiturn sensors that use the GMR technology (giant magneto resistance), provide absolute position values, do not require any reference signals and need no power supply or buffer battery for detecting the revolutions. The fact that rotations are detected even unpowered and the sensor does not lose its position information during a power failure, makes the RSM-2800 with its diameter of only 28 mm an extremely compact real True-Power-On rotary sensor.

The sensor operates magnetically and thus contactless allowing an extremely long life.

The sensor is able to detect angular positions over 2 to 16 revolutions with a high resolution of 16 bits.

Description

Material	Housing: high grade, temperature resistant plastic PPS-GF40/SF50 Shaft: stainless steel, X8CrNiS18-9 1.4305
Mounting	With 2 screws M4 and washers
Fastening torque of mounting	max. 180 Ncm
Bearing	Sintered bronze bushing
Electrical connection	Cable 4x 0.5 mm ² (AWG 20), TPE, shielded / Connector M12x1, A-coded with cable L = 0.15 m

Mechanical Data

Dimensions	See dimension drawing
Mechanical travel	360° continuous
Permitted shaft load static or dynamic	20 N (axial / radial)
Torque	0.15 Ncm (IP54), 0.5 Ncm (IP65), 1.0 Ncm (IP67)
Weight	approx. 50 g

Ordering Specifications

Ordering Specifications

Preferred types printed in bold

- Delivery time up to 25 pcs. within 10 working days EXW
- Best low-volume pricing

Supply voltage U_b

1: $U_b = 24$ VDC

Interface parameters

1: 0.1 ... 10 VDC

Output characteristic

1: Rising characteristic cw

2: Rising characteristic ccw

3: Crossed outputs, channel 1 rising cw

Other output characteristics on request

Electrical connection

201: Cable, 4-pole, shielded, L = 0.5 m

202: Cable, 4-pole, shielded, L = 1 m

206: Cable, 4-pole, shielded, L = 3 m

210: Cable, 4-pole, shielded, L = 5 m

220: Cable, 4-pole, shielded, L = 10 m

501: Conector M12x1, 4-pin, with cable, shielded, L = 0.15 m

Cable versions and assembled connectors on request

R S M - 2 8 3 2 - 0 1 0 - 1 1 1 - 2 0 2

Series

Number of turns for output characteristic

002 ... 016: 2 up to 16 turns

Increment 1 turn, X turns correspond to a measuring angle of $X \cdot 360^\circ$

003, 006, 010, 016: 3, 6, 10, 16 turns

Other measuring angles on request

Mechanical version

2801: 6 mm shaft with marking, IP54*

2831: 6 mm shaft with marking, IP65*

2861: 6 mm shaft with marking, IP67*

2802: 6 mm shaft with flattening, IP54

2832: 6 mm shaft with flattening, IP65

2862: 6 mm shaft with flattening, IP67

2821: push-on coupling, IP54

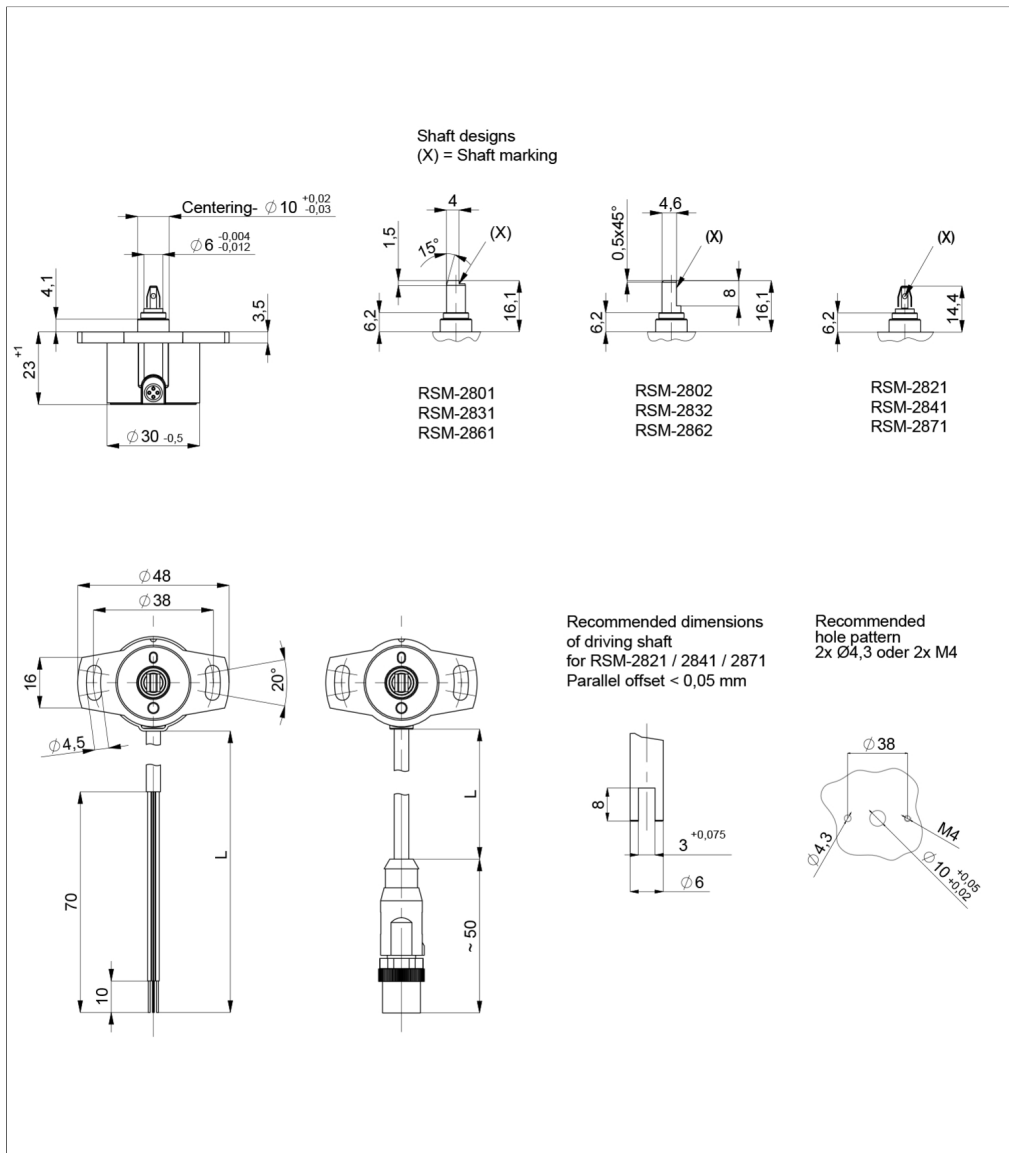
2841: push-on coupling, IP65

2871: push-on coupling, IP67

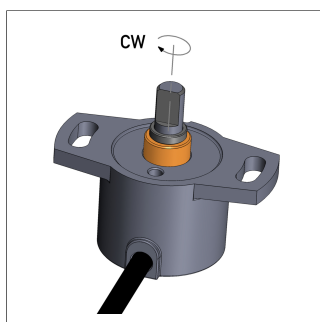
Other shaft configurations on request

* Not recommended for new designs

Drawing



CAD data see
www.novotechnik.de/en/download/cad-data/



When the marking of the shaft is pointing towards the electrical outlet, the sensor output is located on an integer turn position.

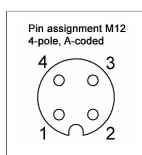
Technical Data

Type	RSM-28 _ _ _ _ _11_ _ _ _
Output signal	0.1 ... 10 V
Load / burden	≥ 10 kΩ
Number of channels	1 / 2
Start-up time	typ. 10 ms
Response time	max. 2 ms
Measuring range	0 ... 720° up to 0 ... 5760° in 360°-steps
Independent linearity	2 turns: typ. ≤ ±0.25 %FS, max. ≤ ±0.35 %FS 3 turns: typ. ≤ ±0.167 %FS, max. ≤ ±0.267 %FS 6 turns: typ. ≤ ±0.083 %FS, max. ≤ ±0.183 %FS 10 turns: typ. ≤ ±0.05 %FS, max. ≤ ±0.15 %FS 16 turns: typ. ≤ ±0.031 %FS, max. ≤ ±0.131 %FS
Resolution	16 bits
Repeatability	≤ ±0.5°
Hysteresis	≤ ±1°
Temperature error	±0.31 %FS
Supply voltage Ub	24 VDC (18 ... 30 VDC)
Current consumption w/o load	typ. 30 mA
Polarity protection	yes (supply lines and outputs)
Short circuit protection	yes (vs. GND and supply voltage Ub)
Insulation resistance (500 VDC)	≥ 10 MΩ
Environmental Data	
Max. operational speed	800 rpm
Vibration IEC 60068-2-6	20 g, 5 ... 2000 Hz, Amax = 0.75 mm
Shock IEC 60068-2-27	50 g, 6 ms
Protection class DIN EN 60529	IP54 / IP65 / IP67
Operating temperature	-40 ... +85°C -25 ... +85°C (connector M12)
Insensitivity to magnetic DC fields	< 15 mT
Life	> 50 Mio. movements (mechanically)
MTTF (IEC 60050)	184 years (per channel)
EMC Compatibility	
EN 61000-4-2 ESD (contact/air discharge)	4 kV, 8 kV
EN 61000-4-3 Electromagnetic fields (RFI)	10 V/m
EN 61000-4-4 Fast transients (burst)	1 kV
EN 61000-4-6 Cond. disturbances (HF fields)	10 V eff.
EN 61000-4-8 Magnetic fields	30 A/m
EN 55011 Noise radiation	Class B

Connection Assignment

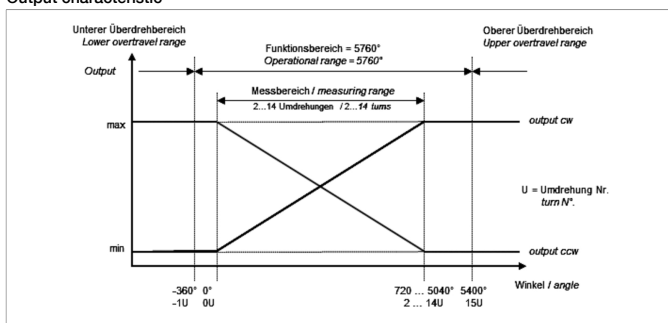
Signal	Cable code 2_ _	Connector code 5_ _	Cable code 2_ _	Connector code 5_ _
	one-channel	one-channel	two-channel	two-channel
Supply voltage Ub	GN	Pin 1	GN	Pin 1
GND	BN	Pin 3	BN	Pin 3
Signal output 1	WH	Pin 2	WH	Pin 2
Signal output 2	-	-	YE	Pin 4
Do not connect / not assigned	YE	Pin 4	-	-

Connect cable shielding to GND

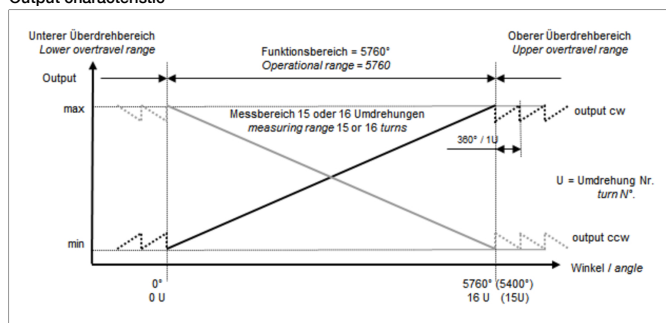


Technical Data
Output
Characteristics

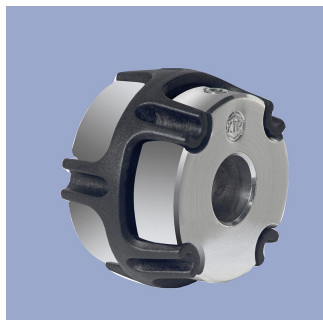
Output characteristic



Output characteristic



Sensor Mounting



Z-106-G_

Backlash-free, double cardanic shaft coupling for $\varnothing 6$ mm to $\varnothing 6$ mm, $\varnothing 6.35$ mm or $\varnothing 10$ mm, mounting via 2 threaded pins with internal hexagon

Material Aluminium, PEEK

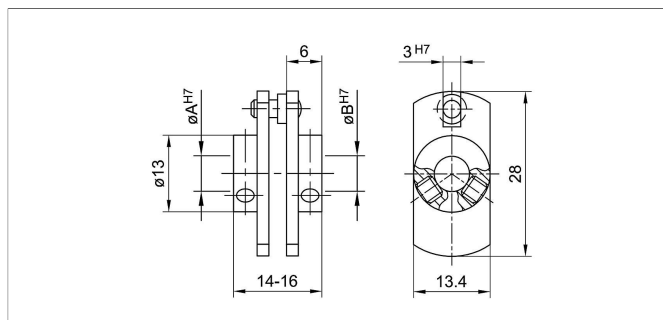
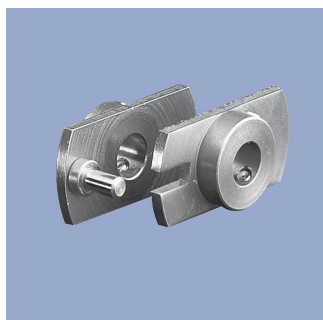
Operating temp. $-40 \dots +160^\circ\text{C}$

Transferable ≤ 1 Nm

torque

Displacement rad. ≤ 0.1 mm, angl. $\leq 0.45^\circ$

P/N	Type	$\varnothing A / \varnothing B$ [mm]
400103910	Z-106-G-6	6 / 6
400103912	Z-106-G-6,35	6 / 6.35
400103913	Z-106-G-10	6 / 10



Z-104-G-6

Fork coupling with low backlash for $\varnothing 6$ mm.

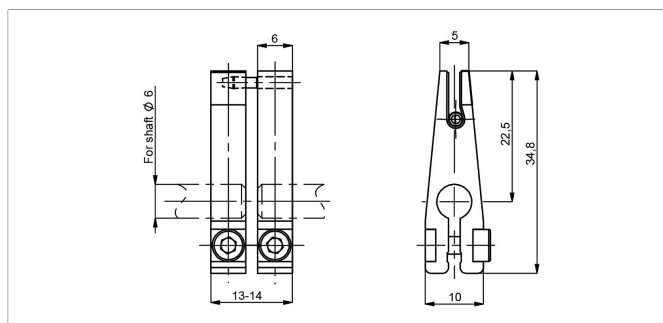
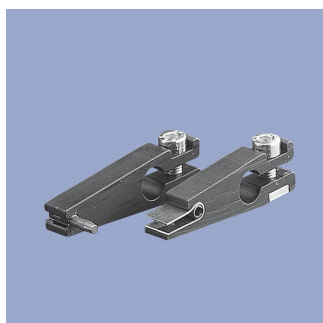
Mounting with 2 cylinder head screws M3 with internal hexagon.

Angle screwdriver DIN 911 AF 1.5 included in delivery.

Material Stainless Steel, driving pin polished

Displacement ≤ 1 mm

P/N	Type	$\varnothing A / \varnothing B$ [mm]
400005690	Z-104-G-6	6 / 6



Z-105-G-6

Backlash-free fork coupling for $\varnothing 6$ mm. Mounting with 1 cylinder head screw M3 with internal hexagon.

Angle screwdriver DIN 911 AF 2.5 included in delivery.

Material Aluminium, anodized (black)
Driving pin and spring hardened

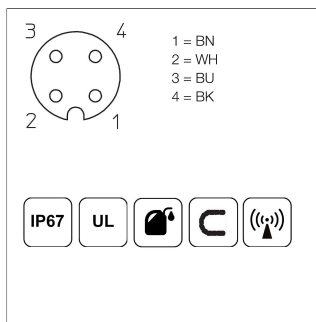
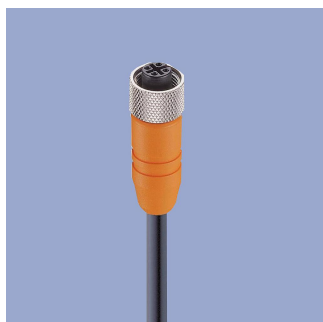
Transferable ≤ 5 Ncm

torque

Displacement ≤ 1 mm

P/N	Type
400005691	Z-105-G-6

Connector System M12



EEM-33-32/62/97
M12x1 Mating female connector, 4-pin, straight, A-coded, with molded cable, shielded, IP67, open ended

Plug housing PA
Cable sheath PUR, Ø = max. 6 mm, -25 ... +80°C (moved), -50 ... +80°C (fixed)

Lead wires PP, 0.34 mm²

P/N	Type	Length
400005600	EEM-33-32	2 m
400005609	EEM-33-62	5 m
400005650	EEM-33-97	10 m

IP67 Protection class IP67 DIN EN 60529

IP68 Protection class IP68 DIN EN 60529

EMC Very good Electromagnetic Compatibility (EMC) and shield systems

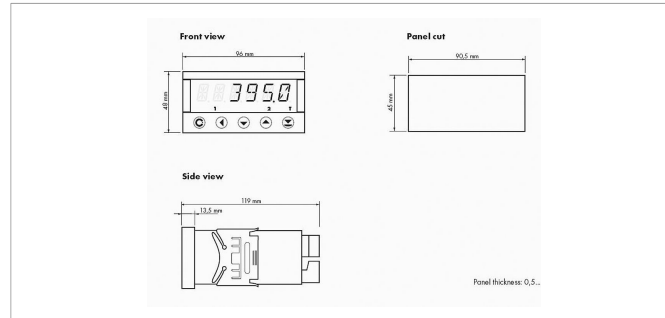
Oil Very good resistance to oils, coolants and lubricants

C Suited for applications in dragchains

UL UL - approved

CAN CAN-Bus

Signal Processing



MAP-4000

Multifunctional measuring device with digital display for direct connection of potentiometric and normalized signals.

- Supply voltage 10...30 VDC, 80...250 VDC or AC
- High accuracy up to 0.1%
- Adjustable supply voltage for sensors 5...24 V
- Temperature coefficient 100 ppm/K
- Optional RS 232, RS 485, analog output, limited switch
- Complete data see separate data sheet

Connecting Options on request



- M12 connector**
- Customized lengths
 - 3-, 4-, 6- and 8-pole versions
 - Protection class IP68
 - Ordering codes of standard versions see ordering specifications



- Molex Mini Fit jr.**
- Customized length and lead wires
 - 3-, 4- and 6-pole versions
 - On request



- Tyco AMP Super Seal**
- Pin- and bushing housing
 - Customized lengths
 - 3-, 4- and 6-pole versions
 - Protection class IP67
 - On request



- Molex Mini Fit jr.**
- Customized length and lead wires
 - 3-, 4- and 6-pole versions
 - On request



- Deutsch DTM 04**
- Pin- and bushing housing
 - Customized lengths
 - 3-, 4- and 6-pole versions
 - Protection class IP67
 - On request



- ITT Cannon Sure Seal connector**
- Customized lengths
 - 3-, 4- and 6-pole versions
 - Protection class IP67
 - On request