



**SENSORES E
INSTRUMENTACION
GUEMISA S.L.**

NIF: B-87969416

C\ La Fundición 4 Bis - Pl 1ª Oficina-2
28522 Rivas Vaciamadrid (Madrid)
Telf. 91 764 21 00
email: ventas@guemisa.com

www.guemisa.com

novotechnik
Siedle Group

**Standard
Potentiometers**

Series P2500



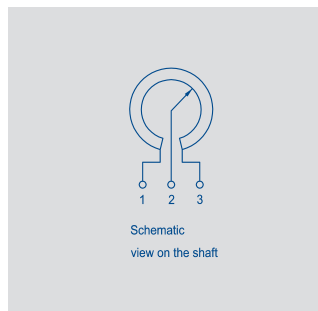
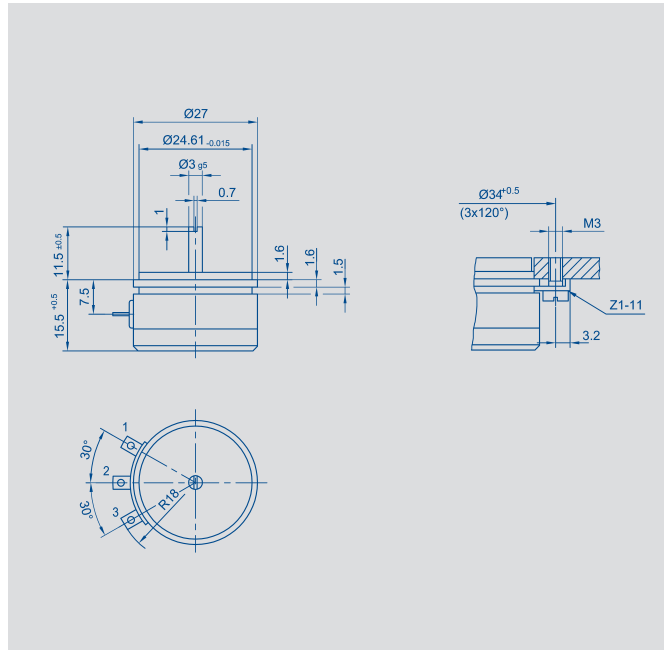
Special features

- unmatched combination of size, performance and price
- very long life - 100×10^6 movements
- very good linearity - standard $\pm 0.2\%$
- very high resolution - better than 0.01°
- high admissible operating speed - $10\,000 \text{ min}^{-1}$
- unrestricted continuous rotation

Precision potentiometer for measuring, control and instrumentation applications.

The distinguishing features of the P 2500 include an all metal case, ball-bearings, a conductive resistance element and elastomer-damped wipers.

Because of its reliability, long life, good linearity, high resolution, high operational speed and corrosion resistance, this component opens applications hitherto closed to conventional potentiometers. Special versions with different electrical travels and shaft dimensions are available.



Schematic
view on the shaft

Description

Size	servo size 11
Case	two-part; flange anodized aluminium; cover high-grade, temperature-resistant plastic
Shaft	stainless steel
Bearings	stainless steel ball bearings
Resistance element	conductive plastic
Wiper assembly	precious metal multi-finger wiper
Electrical connections	gold-plated brass terminals

Mechanical Data		
Dimensions	see drawing	
Mounting	with 3 clamps Z 1 - 11	
Mechanical travel	360, continuous	°
Permitted shaft loading (axial and radial) static or dynamic force	15	N
Torque	≤0.07	Ncm
Maximum operational speed	10 000	min ⁻¹
Weight	20	g
Electrical Data		
Actual electrical travel	345 ±2	°
Available resistance values	1; 2; 5	kΩ
Resistance tolerance	±10	%
Repeatability	0.003 (Δ 0.01°)	%
Effective temperature coefficient of the output-to-applied voltage ratio	typical 5	ppm/K
Independent linearity	±0.2 (< 0.2 on request)	%
Max. permissible applied voltage	42	V
Recommended operating wiper current	≤ 1	μA
Max. wiper current in case of malfunction	10	mA
Insulation resistance (500 VDC, 1 bar, 2 s)	≥ 10	MΩ
Dielectric strength (50 Hz, 2 s, 1 bar, 500 VAC)	≤100	μA

Environmental Data		
Temperature range	-40...+100	°C
Vibration	5...2000 A _{max} = 0.75 a _{max} = 20	Hz mm g
Shock	50 11	g ms
Life	100 x 10 ⁶	movem.
Protection class	IP 40 (DIN 400 50 / IEC 529)	

Order designations

Type	Art.no.	R in kΩ
P2501 A102	003201	1
P2501 A202	003202	2
P2501 A502	003203	5

Type designations for non-standard models will be specified upon receipt of order.

Included in delivery

3 mounting clamps Z1-11

Recommended accessories

Fork coupling Z 103 G 3 (backlash free),
Process-controlled indicators MAP... with display,
Signal conditioner MUP.../
MUK ... for standardized output signals

Important

All the values given in this data sheet for linearity, lifetime and temperature coefficient in the voltage dividing mode are quoted for the device operating with the wiper voltage driving on operational amplifier working as a voltage follower, where virtually no load is applied to the wiper ($I_e \leq 1 \mu A$).